



# The Perfect Garage




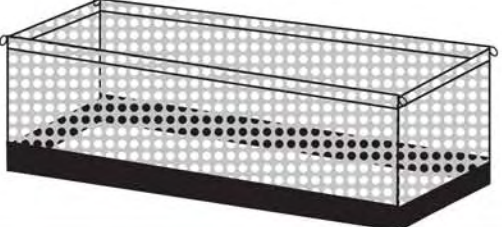
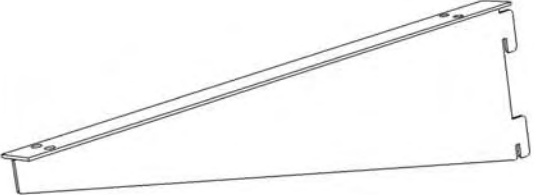
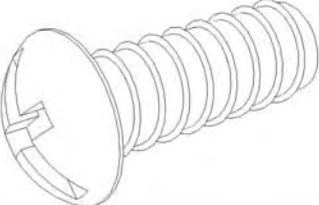

## 42" SPORT BASKET INSTRUCTION MANUAL

Any questions or comments visit us @  
[RestoreStorageSolutions.com](http://RestoreStorageSolutions.com)



## Required Tools



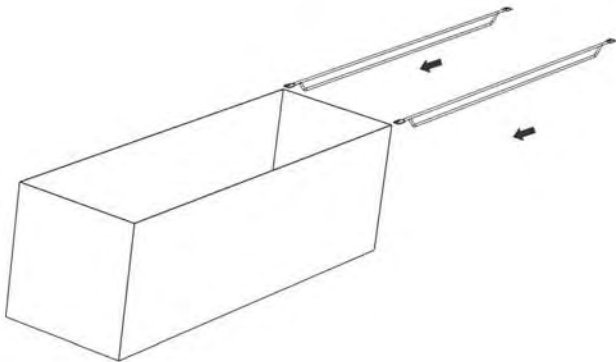
Part/Number	Image	Qty.
Cross Bar	 A long, thin metal bar with a truss-like internal structure.	2
Sports Basket Net	 A rectangular net with a grid pattern, shown in a perspective view.	1
Sports Basket Brackets	 A long, thin metal bracket with a hook-like end.	2
#10 Bolt	 A #10 bolt with a hexagonal head and a threaded shaft.	8
#10 Nut	 A #10 hexagonal nut.	8

**Note:** If you are missing parts, please do not return to the retailer. The store your purchased this product cz does not carry parts. Please call us at 1-800-883-9919 and we will send you replacement parts.

# Sports Basket Assembly

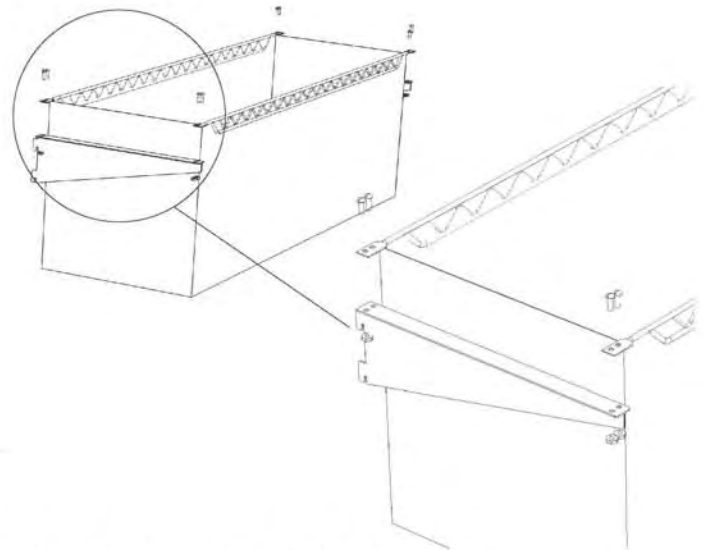
## Requirements:

STEP 1



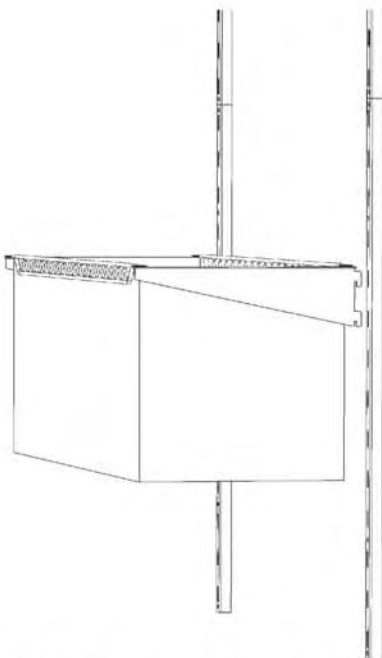
Slide the cross bar into the top of the net.

STEP 2



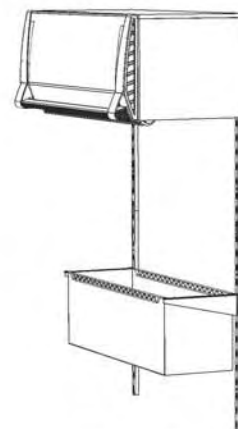
Attach the cross bar to the bracket using the #10 nut and bolt.

STEP 3



Place the basket at desired height on the upright.

Congratulations on successfully assembling and installation of you RESTORE Sports Basket.



If you have any questions about the installation or are missing parts, contact us at:

Customer service: (800) 883-9919  
[www.restorestoragesolutions.com](http://www.restorestoragesolutions.com)

**ELEGANT USA, LLC, Totowa, NJ 07512**

elegantusa.com

®Elegant USA 11/2009

All Rights Reserved

RS420